

PRESSURE GAUGE VERTICAL STAINLESS STEEL BOX WITH GLYCERINE D.50 BSP

pressure gauge vertical stainless steel box with glycerine for liquid and gas network, not for viscous or crystallizing liquid and not attacking copper alloys, for hydraulic, compressed air and shipbuilding.

Plexiglas glass.

Protection indice IP65.

Brass Bourdon tube.



Size : Ø50

Connection : Male 1/4" BSP

Min Temperature : +0°C

Max Temperature : +60°C

Pressure Range : -1/+1 Bar to 0+/60 Bars

Specifications : Stainless steel box

Bourdon brass tube

Wet dial with glycerine

Class 2.5

Materials : AISI 304 box

PRESSURE GAUGE VERTICAL STAINLESS STEEL BOX WITH GLYCERINE D.50 BSP**SPECIFICATIONS :**

- AISI 304 box
- Brass mechanism
- Brass fitting
- Plexiglas glass
- With glycerine
- 2.5 Class
- Protection IP65
- Bottom connection BSP threaded

USE :

- Not for viscous or crystallizing liquid
- Hydraulic, Compressed air and shipbuilding
- Min and max Temperature Ts : 0°C to +60°C

RANGE :

- Pressure gauge Ø 50 with bottom connection 1/4" , range -1/+1 to 0/60 bars **Ref. 1612**

ACCESSORIES :

- Copper curl PN25 Male / Female BSP DN 1/4" **Ref. 9880202**



- SS curl PN20 Male / Female BSP DN 1/4" **Ref. 9880207**



- Carbon steel curl PN25 Male / Male BSP DN 1/4" **Ref. 9880200**



- Carbon steel curl PN25 U type Male / Male BSP DN 1/4" **Ref. 9880205**

PRESSURE GAUGE VERTICAL STAINLESS STEEL BOX WITH GLYCERINE D.50 BSP**GRADUATIONS :**

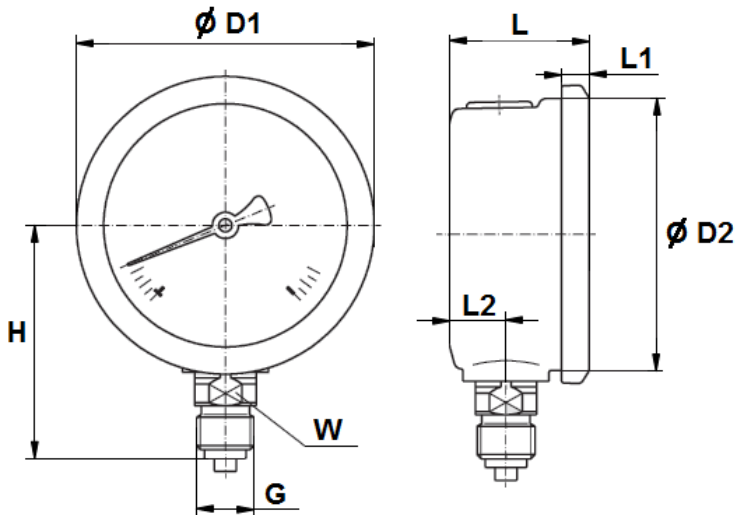
Range (bar)	Graduation (bar)	Ref.
-1 / +1	0,05	1612001
0 / 1,6	0.02	1612002
0 / 2,5	0.05	1612003
0 / 4	0,1	1612004
0 / 6	0,1	1612005
0 / 10	0,2	1612006
0 / 16	0,2	1612007
0 / 25	0,5	1612008
0 / 40	1	1612009
0 / 60	1	1612010

MATERIALS :

DESIGNATION	MATERIALS
Box	AISI 304
Fitting	Brass
Mechanism	Brass
Dial	Duralumin
Glass	Plexiglass
Needle	Steel

PRESSURE GAUGE VERTICAL STAINLESS STEEL BOX WITH GLYCERINE D.50 BSP

SIZE (in mm) :



Ref.	1612
L2	10
L	21,8
∅ D1	54,5
∅ D2	50
L1	5,5
G	1/4
H	48
W	14
Weight (kg)	0,15

STANDARDS :

- Manufacturer certified ISO 9001 : 2015
- Designing according to EN 837-1
- DIRECTIVE 2014/68/EU : Products excluded from directive (article 4, § 3)
- Threaded male BSP cylindrical ends according to ISO 228-1

ADVICE : Our opinion and our advice are not guaranteed and Oktogon Kft. shall not be liable for the consequences of damages. The customer must check the right choice of the products with the real service conditions.